



RL Series

Metal Housings

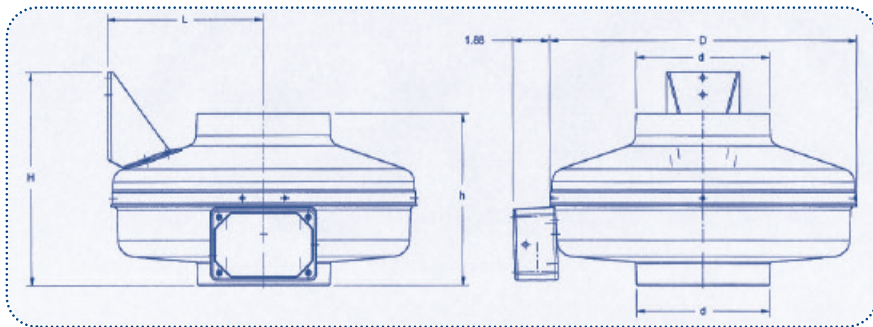


Suitable for:

- Bathroom Ventilation
- Kitchen Ventilation
- Duct Boosting
- Living Area



Model	P/N	Duct	Watts	Typical CFM vs. Static Pressure							Energy Star
				0"	0.2"	0.5"	0.75"	1.0"	1.25"	1.5"	
RL200	28224	4"	39-59	160	147	127	108	90	60	42	--
RL300	28225	6"	50-73	261	237	175	125	90	55	37	✓
RL350	28226	6"	64-86	290	266	220	175	141	100	55	✓
RL450	28227	8"	95-150	476	429	350	280	235	192	145	✓
RL500	28228	10"	98-152	531	479	395	310	240	197	160	✓
RL600	28126	12"	150-215	670	610	513	420	329	263	206	✓



Model	H	h	L	D	d
RL200	8.75	7.38	4.88	9.50	3.88
RL300	9.38	7.50	6.88	13.50	5.88
RL350	9.38	7.50	6.88	13.50	5.88
RL450	10.50	9.13	6.88	13.50	7.88
RL500	10.50	9.13	6.88	13.50	9.88
RL600	N/A	10.00	8.00	15.88	12.38